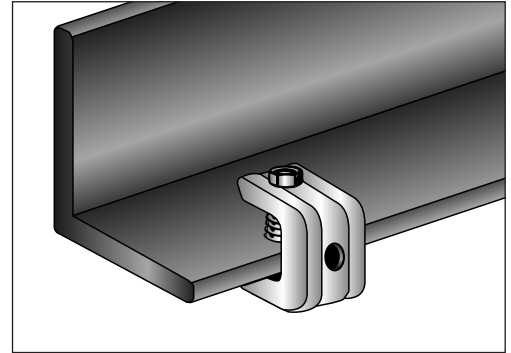
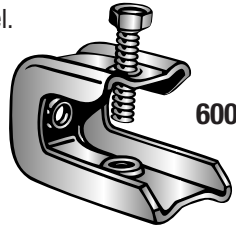
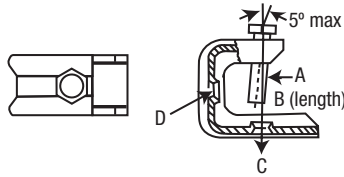


BEAM CLAMPS • UNIVERSAL

- Used with Minerallac conduit hangers #0 to #5, bridle rings and threaded rod. Tapped for rods bottom and back except #602 (bottom only).
- Case hardened steel set screw tapped at an angle locks on beam.
- Available in zinc plated steel or made from stainless steel.

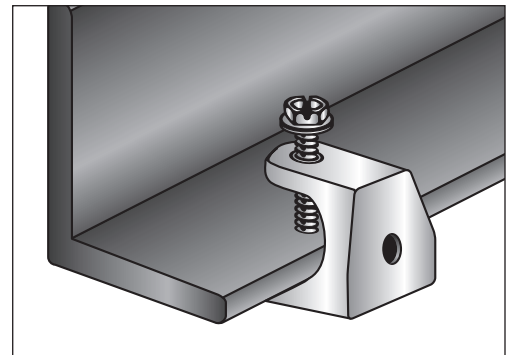
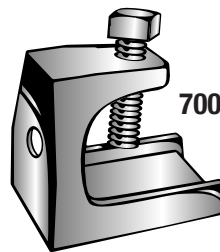
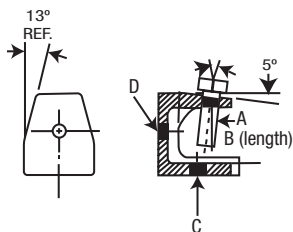


Fits Flange	Tapping	Drop Rod	Static Load Limit Bottom Hole Only	Screw Diameter A	Screw Length B	Bottom Thread C	Back Thread D	Part #	Std Pkg
Zinc-Plated Steel									
1/2	1/4"-20	1/4	75 lbs	1/4"-20	1	1/4"-20	1/4"-20	600 ★	50
1/2	#10-24	#10-24	75 lbs	1/4"-20	1	10-24	10-24	60010 ★	50
3/4	3/8" Bottom Only	3/8	200 lbs	5/16"-18	1 3/8	3/8"-16	None	602 ★	25
3/4	3/8"-16	3/8	200 lbs	5/16"-18	1 3/8	3/8"-16	3/8"-16	602B ★	25
Stainless Steel (Type 304)									
3/4	3/8"-16	3/8	200 lbs	5/16"-18	1 3/8	3/8"-16	3/8"-16	602BSS ★ ♡	25

★ Made in USA ♡ Harsh Environment Product

BEAM CLAMPS • MALLEABLE

- Used with Conduit Hangers, Bridle Rings and Drop Rods, 3/8" to 1/2". Tapped for rods bottom and back on all sizes.
- Malleable iron zinc plated.

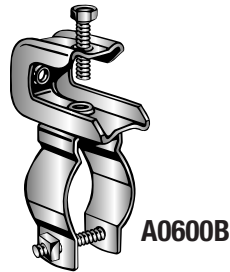
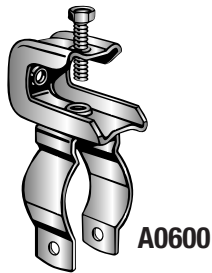
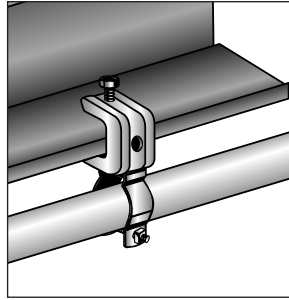


Fits Flange	Tapping	Drop Rod	Static Load Limit Bottom Hole Only	Screw Diameter A	Screw Length B	Bottom Thread C	Back Thread D	Part #	Std Pkg
Zinc Plated Malleable Iron									
5/8	1/4"-20	1/4	275 lbs	5/16"-18	1 1/4	1/4"-20	1/4"-20	700	50
3/4	#10-24	#10-24	275 lbs	1/4"-20	1 1/4	10-24	10-24	70010	50
3/4	5/16"-18	5/16	525 lbs	3/8"-16	1 1/4	5/16"-18	5/16"-18	701	25
3/4	3/8"-16	3/8	750 lbs	1/2"-13	1 1/2	3/8"-16	3/8"-16	702	25
7/8	1/2"-13	1/2	900 lbs	5/8"-11	1 1/2	1/2"-13	1/2"-13	703	25

MINERALLAC TRADITIONAL

BEAM CLAMP ASSEMBLIES

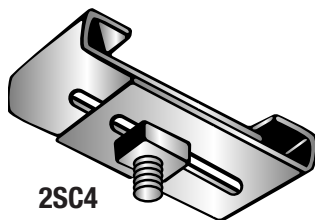
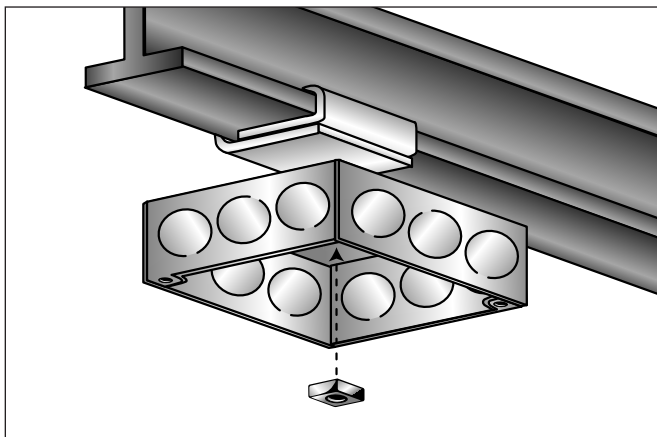
- Our #600 beam clamp with #0 through #5 Conduit Hangers attached.
- Offered with or without nut and bolt attached.
- Zinc plated steel.



Fits EMT	Fits Rigid/MC	Part #	Std Pkg
Zinc Plated Without Bolt			
½	¾–½	A0600 ★	100
¾	¾	A1600 ★	100
1	1	A2600 ★	100
1¼	—	A2-1/2 600 ★	100
1½	1¼	A3600 ★	100
—	1½	A4600 ★	50
2	2	A5600 ★	50
Zinc Plated With Bolt			
½	¾–½	A0600B	100
¾	¾	A1600B	100
1	1	A2600B	100
1¼	—	A2-1/2 600B	100
1½	1¼	A3600B	100
—	1½	A4600B	50
2	2	A5600B	50

★ Made in USA

FLANGE/T-BAR CLIP • TWO-PIECE



Static Load Limit: 100 lbs

- Fits flanges from 1½" to 2½" width and up to ¼" thick.
- ¼"-20 stud with nut.
- Zinc plated steel.

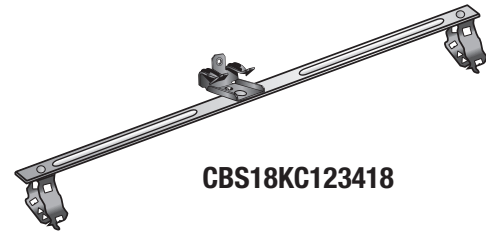
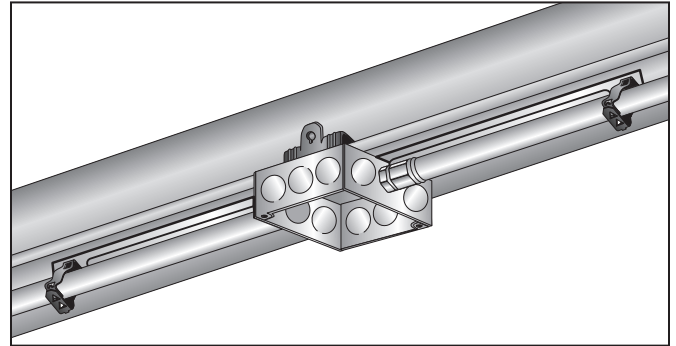
Fits Conduit	Part #	Std Pkg
Zinc Plated		
Fits 1½" to 2½" Wide Flanges; Up to ¼" Thick	2SC4	100

BEAM MOUNT CONDUIT & BOX SUPPORT ASSEMBLY

- Provides conduit support on both sides of electrical box.
- Attaches to beam flanges from 1/8" to 1/2" thick.
- Made from pre-galvanized steel with Black Claw™ spring steel fasteners riveted to part.

Mount 4" Square Boxes		Part #	Std Pkg
Conduit Size	Flange Thickness		
3/8	1/8-1/4	CBS18KC3818 ★	25
3/8	5/16-1/2	CBS18KC38516 ★	25
1/2-3/4	1/8-1/4	CBS18KC123418 ★	25
1/2-3/4	5/16-1/2	CBS18KC1234516 ★	25
1	1/8-1/4	CBS18KC118 ★	25
1	5/16-1/2	CBS18KC1516 ★	25

★ Made in USA

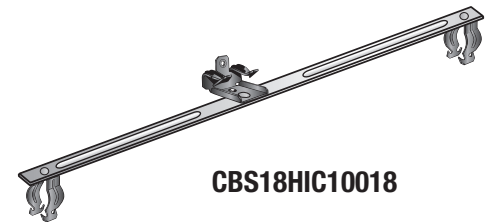
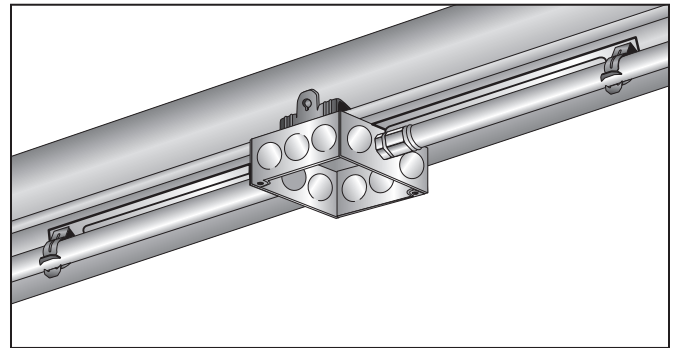


CBS18KC123418

- Provides conduit support on both sides of electrical box.
- Attaches to beam flanges from 1/8" to 1/2" thick.
- Made from pre-galvanized steel with Black Claw™ spring steel fasteners riveted to part.

Mount 4" Square Boxes		Part #	Std Pkg
Conduit Size	Flange Thickness		
1/2" EMT	1/8-1/4	CBS18HIC5018 ★	25
1/2" EMT	5/16-1/2	CBS18HIC50516 ★	25
3/4" EMT or 1/2" Rigid	1/8-1/4	CBS18HIC7518 ★	25
3/4" EMT or 1/2" Rigid	5/16-1/2	CBS18HIC75516 ★	25
1" EMT or 3/4" Rigid	1/8-1/4	CBS18HIC10018 ★	25
1" EMT or 3/4" Rigid	5/16-1/2	CBS18HIC100516 ★	25

★ Made in USA



CBS18HIC10018